

International

**PRIMA** *flex*<sup>TM</sup>

## Features



# PRIMAflex™

## Smooth & Flat Sheet

Cladding, Ceiling and Eaves Lining Boards

**PRIMAflex™** is the first choice in flat sheets among industry professionals for ceilings, partitions, gable ends, wall cladding, paneling, and a host of other building applications. **PRIMAflex™** has a unique combination of physical and mechanical properties that make it superior to other boards.

**PRIMAflex™** is autoclaved for superior durability & flexibility. This process cures the product, giving it outstanding dimensional stability. Quality has never been better with the state-of-the-art technology and ultra modern processes employed in the manufacture of **PRIMAflex™**.

**PRIMAflex™** performs exceptionally well when all aspects of good design detailing and workmanship are met. **PRIMAflex™** has demonstrated strong resistance to termite attack based on client Report No. 1844, tested by CSIRO Forest Biosciences.

### Product Benefits

- Termite Resistant
- Structurally Strong
- Fire Resistant
- Cost Effective
- Highly Resistant to Decay, Termite and Rodent Attack and Most Chemicals
- Highly Workable, is Easily Scored, Snapped and Cut with Common Working Tools
- Weather Resistant
- Light Weight
- Excellent Workability
- Strong and Durable
- Fungus Resistant
- Low Maintenance
- Impact Resistant
- User Friendly
- Dimensionally Stable
- Smooth, Flat and Uniform Surface
- Excellent Sound Insulation
- Better Heat Insulation

## Material Properties & Composition

When **PRIMAflex™** is tested at Equilibrium Moisture Content (EMC) of 7% at temperature of 27°C and relative humidity of 65% to 95%, the typical average values are as follows:

Properties	Values
Density - Dry	1300kg/m <sup>3</sup>
- EMC	1390kg/m <sup>3</sup>
Moisture Content at EMC	7%
Moisture Content at Saturation	33%
Thermal Conductivity, k Value (Mean temperature of 41.93°C)	0.24W/mK
Sound Transmission Class* (Estimated based on mass)	4.5mm - 23dB 6.0mm - 25dB 7.5mm - 26dB 9.0mm - 28dB 12.0mm - 30dB
Length & Width Tolerances (full size board of 1220mm x 2440mm)	+0mm, - 2mm of nominal size

\*Laboratory test shows that the STC value for 9.0mm **PRIMAflex™** is 30dB

## Product Composition

- Top Grade Quality Pulp from NZ
- Portland Cement
- Finely Ground Sand
- Water

## Fire Resistance

**PRIMAflex™** is non-combustible based on test by CSIRO to AS 1530.1 standard. It is eminently suitable where non-combustible materials are required in accordance with C1.12 of the Building Code of Australia.

**PRIMAflex™** has been tested in accordance with AS 1530.3; Simultaneous Determination of Ignitability, Flame Propagation, Heat Release and Smoke Release.

- Ignitability Index 0
- Spread of Flame Index 0
- Heat Evolved Index 0
- Smoke Developed Index 0 - 1

**PRIMAflex™** also has been tested in accordance with AS/NZS 3837, a method of test for heat and smoke release rates for materials and products using an oxygen consumption calorimeter at 50kW/m<sup>2</sup> and it has been classified as Group 1 material based on specification A2.4 and C1.10a of the Building Code of Australia.

**PRIMAflex™** has also been tested to BS 476, Part 5, 6 and 7 by Warrington Fire Research (UK).

## Mass per sheet (kg)

Thickness (mm)	Length (mm)	Width (mm)				
		450	600	750	900	1200
4.5	1800	-	-	-	10.5	14.1
	2100	-	-	-	12.3	16.4
	2400	7.0	9.4	11.7	14.1	18.8
	2700	-	-	-	15.8	21.1
	3000	-	-	-	17.6	23.5
6.0	1800	-	-	-	-	18.3
	2400	-	-	-	18.3	24.4
	2700	-	-	-	-	27.4
	3000	-	-	-	-	30.5

Note:

1. Weight per sheet is shown for sizes available ex stock.

2. Where table is blank, the sizes shown are available only on special order and may be subject to conditions.

## Framing & Fixing Specifications

### Framing Requirement

PRIMAflex™ sheets are suitable for fixing to timber or light gauge steel frames. Construction of framing shall be in accordance with local building practices.

- Stud spacing - 450mm maximum, for 4.5mm sheets and 600mm maximum for 6mm sheets and above
- Nogging spacing - 1200mm maximum

Stud and nogging face width:-

- Timber - 45mm minimum
- Steel - 38mm minimum

Where necessary, the face width may be increased by providing trim-packing to the side of the studs and noggings

Refer to PRIMA™ External Cladding Technical Manual for complete installation detail.

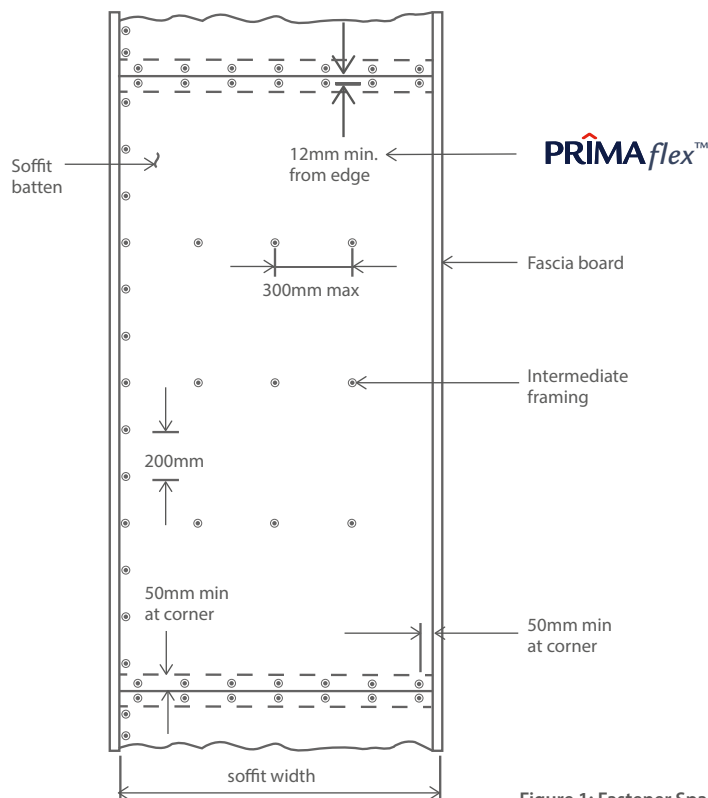
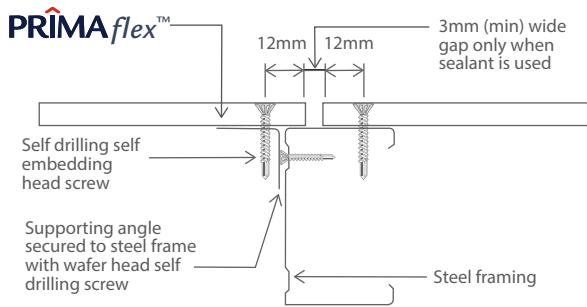


Figure 1: Fastener Spacing and Edge Distance

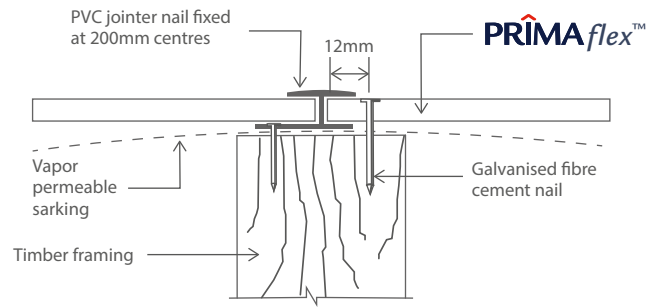
## Typical Joint Detail



Note:

1. Self embedding head screws should be used with 6mm thick sheets and above.
2. The 3mm minimum gap is for a sealed joint if required.
3. PRIMAflex™ sheets are fixed with Locally available standard fibre cement screws and nails.

## Typical Detail with Pvc Joint



4. All screws shall comply with 'AS-3566 SELF DRILLING SCREWS FOR THE BUILDING AND CONSTRUCTION INDUSTRIES' or equivalent standard.
5. All nails shall comply with 'AS 2334-STEEL NAILS - METRICS SERIES' or equivalent standard.

## Appraisals

### (Volume 1 - Class 2 to Class g Buildings)

PRIMAflex™ Cladding Eaves Lining Boards have been appraised by CSIRO in meeting the requirements of Clauses CP4, FP1.4, P2.2.2 and P2.3.1 of the Building Code of Australia 2006.

### (Volume 2 - Class 1 and Class 10 Buildings Housing Provisions)

OPUS International Consultants Limited, New Zealand has determined the compliance of PRIMAflex™ boards to AS/NZS 2g08.2. Cellulose-cement products, Part 2 - Flat Sheets.

AS/NZS  
2908.2

ASTM  
C1186

Fire Resistance  
AS 1530.3

Termite Resistance -  
tested by CSIRO



Termite Resistant



Fire Resistant



Water Resistant



Weather Resistant



Environmentally  
Friendly



Superior Paint  
Adhesion



High Workability



Aesthetically  
Pleasing



50  
Years  
Durability

### WARRANTY

Hume Cemboard Industries Sdn Bhd ("the Company") warrants that it will at all times ensure that the products referred to herein ("the Products") shall be supplied by it to the purchaser free of any manufacturing defects and defective materials used in their manufacture.

In the event and if contrary to this assertion the Products prove to be defective, whether as a result of manufacturing defects or arising from the Company's use of defective materials, the Company will supply replacement Products. The Company shall, however, have the option and may choose to reimburse the purchaser the purchase price of the Products instead. The Company shall not be liable for any economic or consequential losses arising from any use of defective Products.

This warranty shall be void unless the purchaser has, in its handling and installation of the Products, complied with the recommendations contained in this brochure and other good building practices expected of a reasonable purchaser.

### ADVISORY NOTE

Successful installations of Hume Cemboard Industries Sdn Bhd's Products depend on a large number of factors that are outside of the scope of this brochure. Particular design, detail, construction requirements and workmanship are beyond the control of the Company. As such, Hume Cemboard Industries Sdn Bhd's warranty does not extend to non-usability of Products or damage to Products arising from poor or defective designs or systems or poor quality of workmanship in the installation of Products.



For more information, please contact us at:

# Hume Cemboard Industries

A Member of the Hong Leong Group

No. 12 Jalan Tandang, 46050 Petaling Jaya, Selangor, Malaysia.

### Malaysia Sales

Tel: + 603 7625 9999 Fax: +603 7625 7822 Email: sales@humecemboard.com.my

### Oversea Sales

Tel: + 603 7625 3880 Fax: +603 7625 3990 Email: exportHCl@humecemboard.com.my

[www.primafibre.com](http://www.primafibre.com)