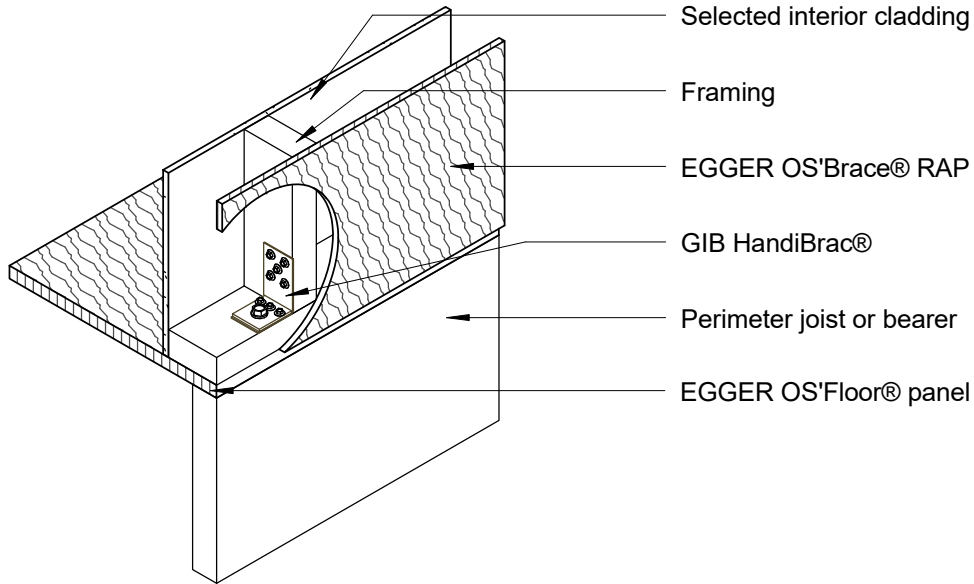


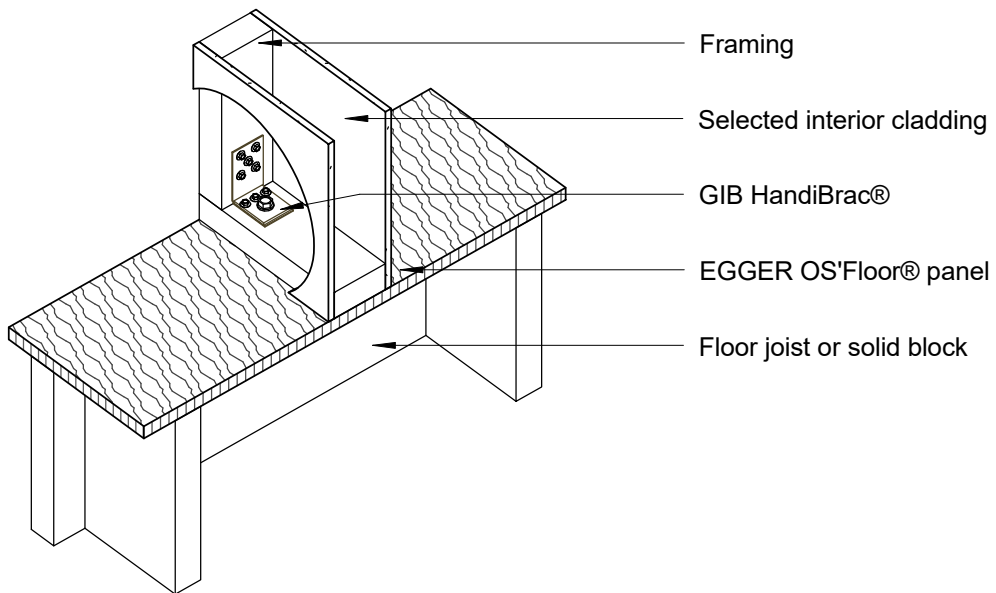
Timber floor external walls:

Position GIB HandiBrac® in the centre of the perimeter joist or bearer.



Timber floor internal walls:

Position GIB HandiBrac® in the centre of the floor joist or full depth solid block



File: ibs_1255 - floor connections	
Scale:	Reference
Issue: 1	IBS_1255
Date: August 2015	